

CONTEMPORARY
MIXTURES
SURFACES

&

SIGNATURE
SURFACES

Luxe |

Taking its name from the Portuguese and Catalan limestones, *Luxe* is a minimalist and refined collection, included in **Contemporary Mixtures Surfaces**. It shows several finishes; with a semi-matte and even polishing; and, which combines in perfect proportion mattes and subtle glosses in the grains and fossils spots. A unique quality through a careful selection of surfaces launched in **7 timeless stony colors with reduced shade variation**.

It is capable of creating sophisticated settings with large format pieces, like **90x90 or 60x180 cm**, in which its design quality goes hand in hand with the highest performance. Mechanical properties and durability of natural limestone, suitable for its use as floor covering, are enhanced.



Luxe White 60x180 (24"x72")



Luxe White 90x90 (36"x36") & Lightwood Sand 15x 90 (6"x36")



Luxe Light Grey 60x180 (24"x72") & *Luxe* White 60x180 (24"x72")



Luxe Biscuit 90x90 (36"x36")



*Luxe Biscuit 90x90
(36"x36")*



Luxe Greige 90x90 (36"x36") & Luxe Greige Bush Hammered 90x90 (36"x36")



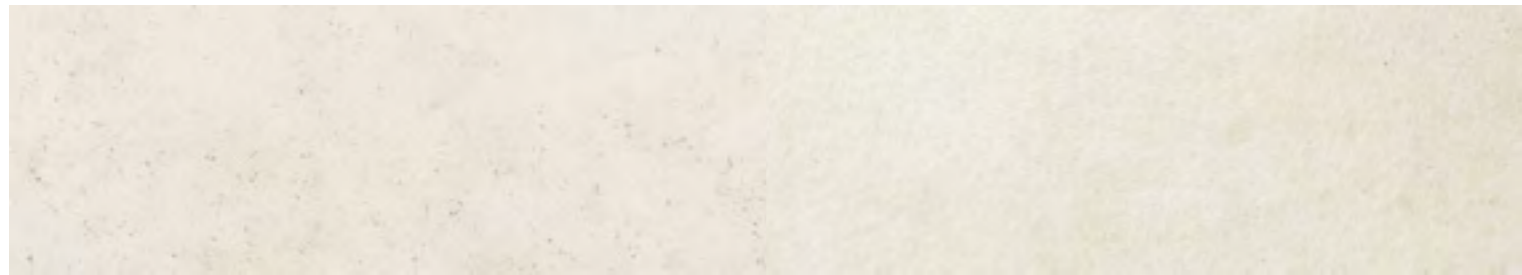
Luxe Dark Grey Bush Hammered 90x90 (36"x36") & *Luxe* Light Grey Antislip 90x90 (36"x36")



Luxe Coal 30x180 (12"x72")



Luxe Black 90x90
(36"x36")



Luxe White Natural

Luxe White Bush Hammered



Luxe Light Grey Natural

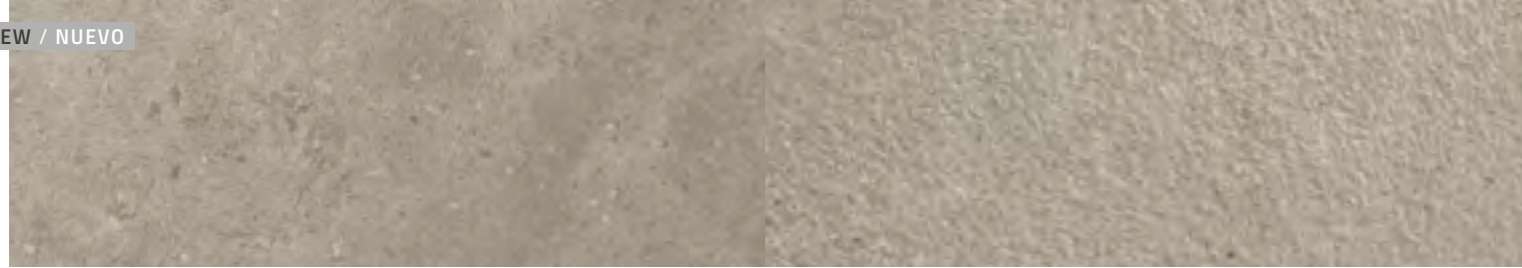
Luxe Light Grey Bush Hammered



Luxe Biscuit Natural

Luxe Biscuit Bush Hammered

NEW / NUEVO



Luxe Greige Natural

Luxe Greige Bush Hammered



Luxe Dark Grey Natural

Luxe Dark Grey Bush Hammered



Luxe Coal Natural

Luxe Coal Bush Hammered

NEW / NUEVO



Luxe Black Natural

Luxe Black Bush Hammered

Luxe

COLOR BODY PORCELAIN
RECTIFIED / DESTONIFIED V.2



N° DESIGNS BY FORMAT:

60x180: **13** / 30x180: **26** / 90x90: **16** / 45x90: **32** / 60x60: **28** / 30x60: **56** / 10x60: **168** / 5x60: **168**

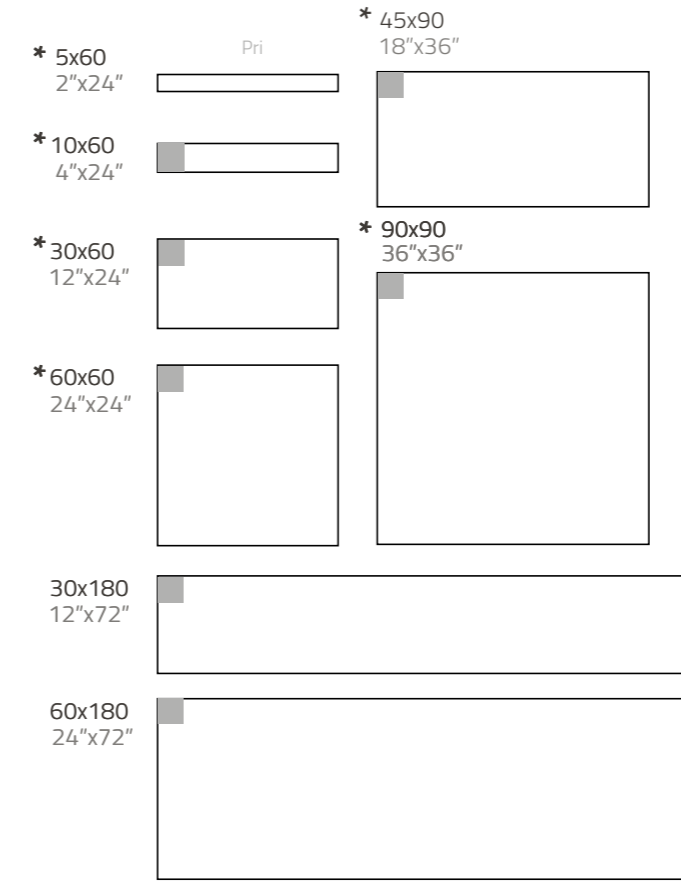
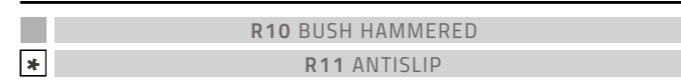
NF UPEC 14411 - CSTB CERTIFIED PRODUCT



R9 NATURAL - R10 BUSH HAMMERED - R11 ANTISLIP

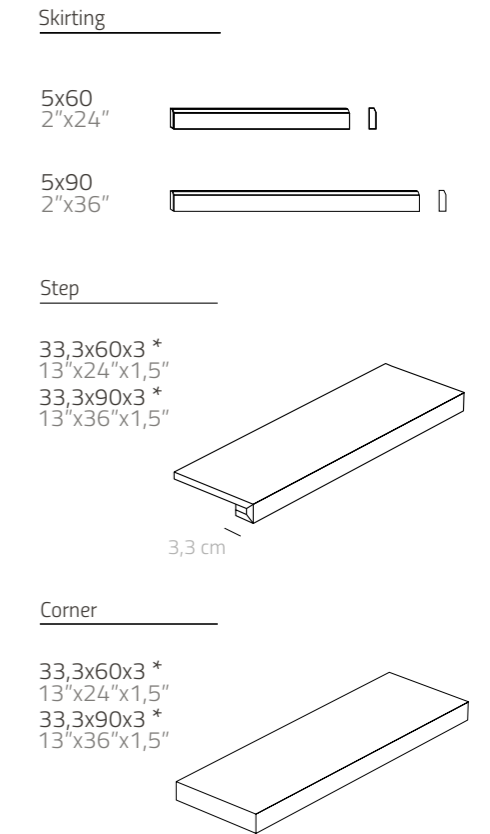
FORMATS & SIZES

Scale 1/20



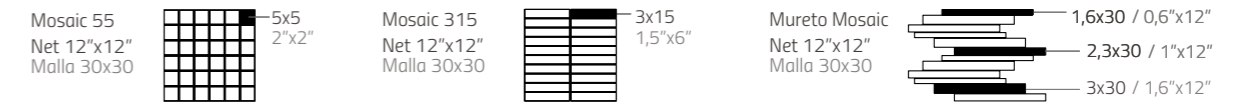
SPECIAL PIECES

Scale Escala 1/20



COMPLEMENTS

Scale 1/20



NOMINAL NOMINAL	REAL REAL	PRICE CODE CÓDIGO DE PRECIO	PIECES / BOX PIEZAS / CAJA	M² / BOX M² / CAJA	KG / BOX KG / CAJA	BOXES / PALLET CAJAS / PALET	M² / PALLET M² / PALET	KG / PALLET KG / PALET
5x60	4,8x59,8	5	20	0,57	13,52	60	34,44	835
10x60	9,8x59,8	10	10	0,59	13,54	60	35,40	837
30x60	29,8x59,8	30	6	1,07	23,24	40	42,80	954
60x60	59,8x59,8	60	3	1,07	23,12	40	42,91	949
45x90	44,8x89,8	45	3	1,21	29,80	30	36,21	909
90x90	89,8x89,8	90	1	0,81	21,08	40	32,20	872
30x180	29,8x179,8	31	2	1,07	27,24	36	38,52	1027
60x180	59,8x179,8	61	1	1,08	26,70	36	38,71	1007
MOSAIC 55	M 29,8x29,8	55	5	0,44	9,02	60	26,40	565
MOSAIC 315	M 29,8x29,8	315	5	0,44	9,02	60	26,40	565
MOSAIC Mureto	M 29,8x29,8	300	5	0,44	8,94	40	17,60	382
RODAPÍE 5x60	4,8x59,8	561	RODAPÍE / SKIRTING	5	2,99	3,10	120	--
RODAPÍE 5x90	4,8x89,8	591	RODAPÍE / SKIRTING	5	4,49	5,68	70	--
STEP TILE 33,3x60	33,3x59,8	360	STEP TILE / PELDAÑO NORMAL	2	1,20	--	--	--
STEP TILE 33,3x90	33,3x89,8	390	STEP TILE / PELDAÑO NORMAL	2	1,80	--	--	--
STEP TILE 33,3x60	33,3x59,8	361	STEP TILE / PELDAÑO ANGULAR	1	0,60	--	--	--
STEP TILE 33,3x90	33,3x89,8	391	STEP TILE / PELDAÑO ANGULAR	1	0,90	--	--	--



PORCELAINLAB

INNOVATIVE - ARCHITECTURAL - DESIGN